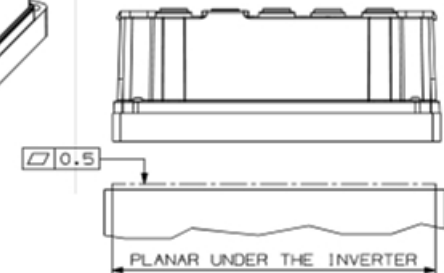
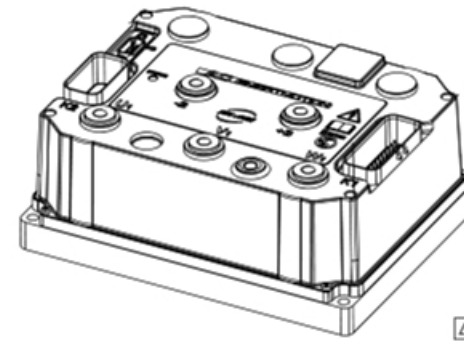
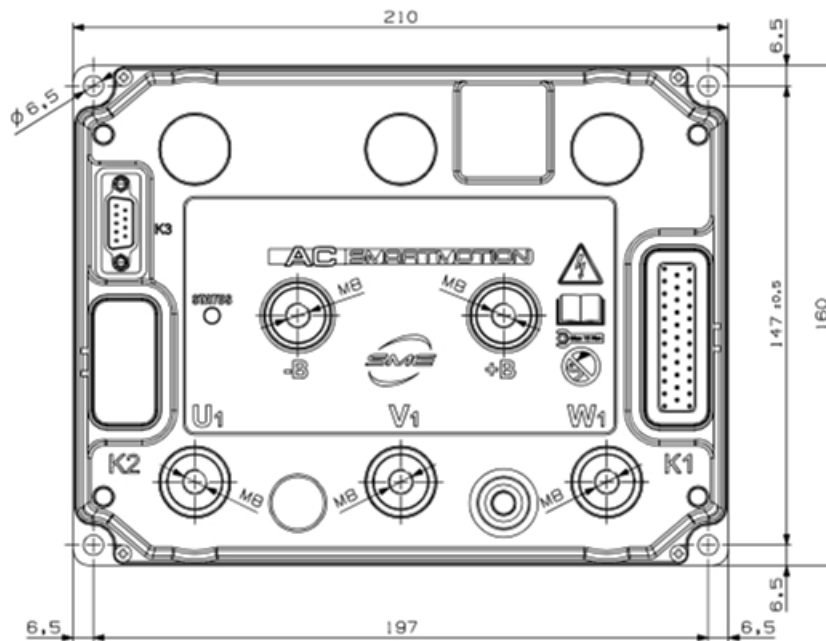
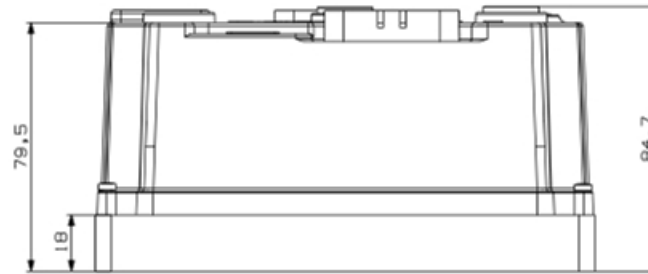
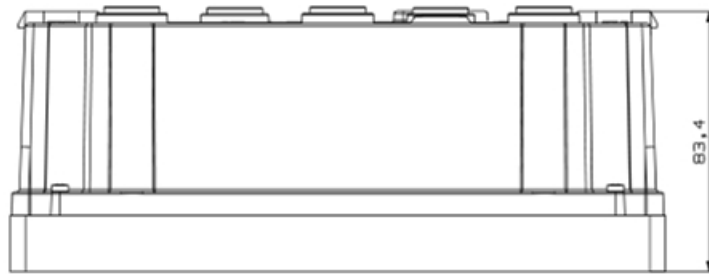


NetGain Motors, Inc.

800 South State Street / Suite 4 / Lockport, IL 60441 / 630-243-9100 / 630-685-4054 (FAX)



MOUNTING RULES

SUGGESTED THERMAL GREASE TYPE : HTS ELECTROLUBE
 PAINT OF PLANE UNDER AC PANEL MUST TO BE THERMIC CONDUCTIVE
 FIXING MAX TORQUE FOR THE AC PANEL M6 SCREWS IS 6,5Nm

K1 CONNECTOR AMPSEAL 35 POSITIONS	
PLUG ASSEMBLY	cod.776164-1
CONTACT 0,5-1,4mm ²	cod.770854-1

UNIT OF MEASUREMENT : mm

K3 CONNECTOR 9 POSITIONS	
SUB-D FEMALE STANDARD DENSITY	

Hyper-Drive X1™

BY:

